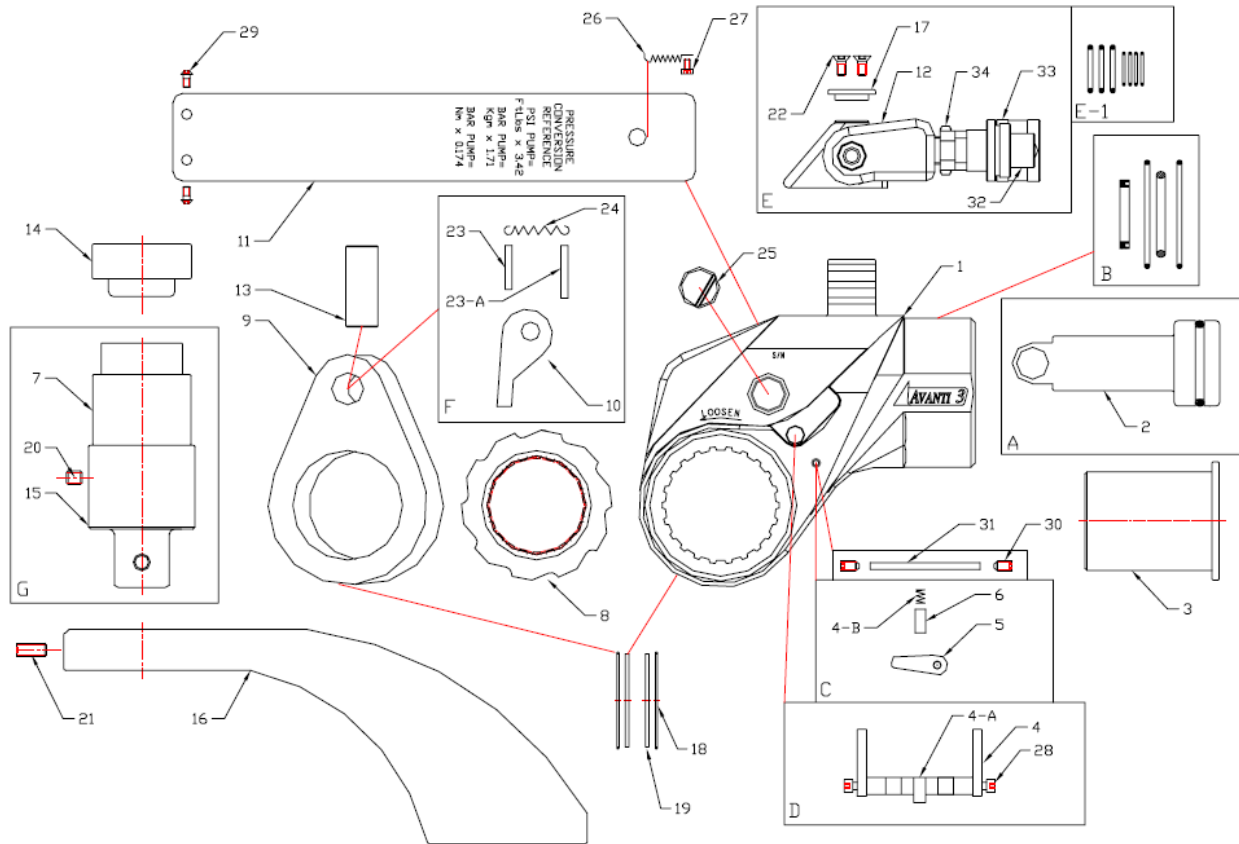


Hytorc-Avanti sprängskiss



ITEM	QTY	DESCRIPTION	AV-P7	AV-01	AV-03	AV-05	AV-08	AV-10	AV-20	AV-35	AV-50	
1	1	HOUSING	AV-P7-01	AV-01-01	AV-03-01	AV-05-01	AV-08-01	AV-10-01	AV-20-01	AV-35-01	AV-50-01	
2	1	PISTON ASSEMBLY	REFER TO "A" SEE BELOW									
3	1	END CUP	AV-P7-34	AV-01-34	AV-03-34	AV-05-34	AV-08-34	AV-10-34	AV-20-34	AV-35-34	AV-50-34	
4	1	DISENGAGEMENT LEVER (R/L)	AV-P7-15A	AV-01-15A	AV-03-15A	AV-05-15A	AV-08-15A	AV-10-15A	AV-20-15A	AV-35-15A	AV-50-15A	
4-A	1	DISENGAGEMENT LEVER PIVOT SHAFT	AV-P7-15B	AV-01-15B	AV-03-15B	AV-05-15B	AV-08-15B	AV-10-15B	AV-20-15B	AV-35-15B	AV-50-15B	
4-B	1	REACTION PAWL PUSH PIN SPRING	AV-P7-18	AV-01-18	AV-03-18	AV-05-18	AV-08-18	AV-10-18	AV-20-18	AV-35-18	AV-50-18	
5	1	REACTION PAWL	REFER TO "C" SEE BELOW									
6	1	REACTION PAWL PUSH PIN	AV-P7-42	AV-01-42	AV-03-42	AV-05-42	AV-08-42	AV-10-42	AV-20-42	AV-35-42	AV-50-42	
7	1	SQUARE DRIVE	REFER TO "G" SEE BELOW									
8	1	RATCHET	AV-P7-06	AV-01-06	AV-03-06	AV-05-06	AV-08-06	AV-10-06	AV-20-06	AV-35-06	AV-50-06	
9	2	DRIVE PLATES (LEFT/ RIGHT)	AV-P7-04	AV-01-04	AV-03-04	AV-05-04	AV-08-04	AV-10-04	AV-20-04	AV-35-04	AV-50-04	
10	1	DRIVE PAWL	REFER TO "F" SEE BELOW									
11	1	SHROUD	AV-P7-31	AV-01-31	AV-03-31	AV-05-31	AV-08-31	AV-10-31	AV-20-31	AV-35-31	AV-50-31	
12	1	UNISWIVEL ASS'Y	REFER TO "E" SEE BELOW									
13	1	ROD PIN	AV-P7-19	AV-01-19	AV-03-19	AV-05-19	AV-08-19	AV-10-19	AV-20-19	AV-35-19	AV-50-19	
14	1	DRIVE RETAINER ASS'Y	AV-P7-11	AV-01-11	AV-03-11	AV-05-11	AV-08-11	AV-10-11	AV-20-11	AV-35-11	AV-50-11	
15	1	DRIVE SPLINE SLEEVE ASS'Y	AV-P7-07	AV-01-07	AV-03-07	AV-05-07	AV-08-07	AV-10-07	AV-20-07	AV-35-07	AV-50-07	
16	1	REACTION ARM	AV-P7-03	AV-01-03	AV-03-03	AV-05-03	AV-08-03	AV-10-03	AV-20-03	AV-35-03	AV-50-03	
17	1	UNISWIVEL CAP	AV-P7-001P	AV-01-001P	AV-03-001P	AV-05-001P	AV-08-001P	AV-10-001P	AV-20-001P	AV-35-001P	AV-50-001P	
18	1	DRIVE PLATE RETAINING RING BACKUP WIRE	AV-P7-20	AV-01-20	AV-03-20	AV-05-20	AV-08-20	AV-10-20	AV-20-20	AV-35-20	AV-50-20	
19	1	DRIVE PLATE RETAINING RING	AV-P7-30	AV-01-30	AV-03-30	AV-05-30	AV-08-30	AV-10-30	AV-20-30	AV-35-30	AV-50-30	
20	1	SQ DRIVE SET SCREW	AV-P7-5A	AV-01-5A	AV-03-5A	AV-05-5A	AV-08-5A	AV-10-5A	AV-20-5A	AV-35-5A	AV-50-5A	
21	1	REACTION ARM SET SCREW	AV-P7-22	AV-01-22	AV-03-22	AV-05-22	AV-08-22	AV-10-22	AV-20-22	AV-35-22	AV-50-22	
22	2	UNISWIVEL COVER SCREW	AV-P7-13	AV-01-13	AV-03-13	AV-05-13	AV-08-13	AV-10-13	AV-20-13	AV-35-13	AV-50-13	
23	1	DRIVE PAWL SPRING PIN	AV-P7-40	AV-01-40	AV-03-40	AV-05-40	AV-08-40	AV-10-40	AV-20-40	AV-35-40	AV-50-40	
23-A	1	DRIVE PAWL SPRING PIN, LONG	AV-P7-41	AV-01-41	AV-03-41	AV-05-41	AV-08-41	AV-10-41	AV-20-41	AV-35-41	AV-50-41	
24	1	DRIVE PAWL SPRING	AV-P7-27	AV-01-27	AV-03-27	AV-05-27	AV-08-27	AV-10-27	AV-20-27	AV-35-27	AV-50-27	
25	2	ACCESS PLUG WITH O-RING	AV-P7-02	AV-01-02	AV-03-02	AV-05-02	AV-08-02	AV-10-02	AV-20-02	AV-35-02	AV-50-02	
26	1	SHROUD SPRING	AV-P7-59	AV-01-59	AV-03-59	AV-05-59	AV-08-59	AV-10-59	AV-20-59	AV-35-59	AV-50-59	
27	1	SHROUD SPRING SCREW	AV-P7-58	AV-01-58	AV-03-58	AV-05-58	AV-08-58	AV-10-58	AV-20-58	AV-35-58	AV-50-58	
28	2	DISENGAGEMENT LEVER SCREW	AV-P7-39	AV-01-39	AV-03-39	AV-05-39	AV-08-39	AV-10-39	AV-20-39	AV-35-39	AV-50-39	
29	2	SHROUD SCREW	AV-P7-32	AV-01-32	AV-03-32	AV-05-32	AV-08-32	AV-10-32	AV-20-32	AV-35-32	AV-50-32	
30	2	REACTION PAWL PIN SET SCREW	AV-P7-65	AV-01-65	AV-03-65	AV-05-65	AV-08-65	AV-10-65	AV-20-65	AV-35-65	AV-50-65	
31	1	REACTION PAWL PIN	AV-P7-43	AV-01-43	AV-03-43	AV-05-43	AV-08-43	AV-10-43	AV-20-43	AV-35-43	AV-50-43	
32	1	MALE COUPLER	090155	090155	090155	090155	090155	090155	090155	090155	090155	
33	1	FEMALE COUPLER	090156-1	090156-1	090156	090156	090156	090156	090156	090156	090156	
34	1	NIPPLE	090103	090103	090101	090101	090101	090101	090101	090101	090103	

ITEM	ASSEMBLIES AND KITS	PART No.	PART No.	PART No.	PART No.	PART No.	PART No.	PART No.	PART No.	PART No.
A	PISTON ASSEMBLY	AV-P7-25	AV-01-25	AV-03-25	AV-05-25	AV-10-25	AV-10-25	AV-20-25	AV-35-25	AV-50-25
B	HOUSING SEAL KIT	AV-P7-62	AV-01-62	AV-03-62	AV-05-62	AV-10-62	AV-10-62	AV-20-62	AV-35-62	AV-50-62
C	REACTION PAWL ASS'Y	AV-P7-10	AV-01-10	AV-03-10	AV-05-10	AV-10-10	AV-10-10	AV-20-10	AV-35-10	AV-50-10
D	DISENGAGEMENT LEVER ASS'Y	AV-P7-15	AV-01-15	AV-03-15	AV-05-15	AV-10-15	AV-10-15	AV-20-15	AV-35-15	AV-50-15
E	UNISWIVEL ASS'Y	AV-P7-001	AV-01-001	AV-03-001	AV-05-001	AV-10-001	AV-10-001	AV-20-001	AV-35-001	AV-50-001
E-1	UNISWIVEL SEAL KIT	AV-P7-00	AV-01-00	AV-03-00	AV-05-00	AV-10-00	AV-10-00	AV-20-00	AV-35-00	AV-50-00
F	DRIVE PAWL ASS'Y	AV-P7-63	AV-01-63	AV-03-63	AV-05-63	AV-10-63	AV-10-63	AV-20-63	AV-35-63	AV-50-63
G	SQUARE DRIVE ASS'Y	AV-P7-05	AV-01-05	AV-03-05	AV-05-05	AV-10-05	AV-10-05	AV-20-05	AV-35-05	AV-50-05